

# CAMP KITCHEN CHUCK BOX

## SUPPLIES LIST & CUT SHEET

An organized kitchen is the secret to a happy camping trip. That said, it's not always easy to keep all of your cooking gear and ingredients readily accessible when you're at the campsite. Let's face it; tossing everything randomly in cardboard boxes will only get you so far. This tutorial provides instructions for a do-it-yourself wooden camp kitchen box that'll solve your culinary organizational quandaries once and for all. Plus, it looks good and is pretty much guaranteed to impress the heck out of your camping buddies.



### SUPPLIES NEEDED:

- 48" X 96" SHEET OF 1/2" PLYWOOD
- 4 SETS OF HINGES
- 2 LATCHES
- 2 MAGNETS CLOSURES
- WOOD GLUE
- SCREWS

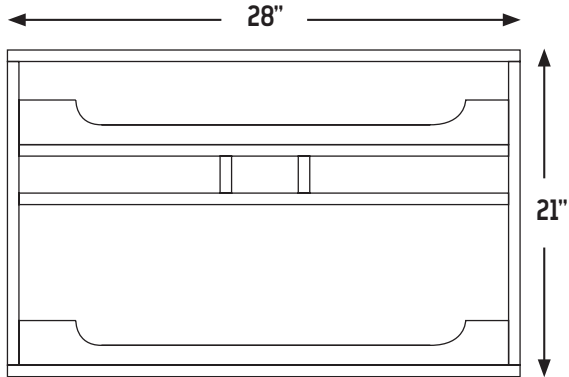
### TOOLS NEEDED:

- SCREWDRIVER
- TAPE MEASURE
- DRILL WITH SMALL BIT
- PENCILS
- CONSTRUCTION SQUARE
- SKILL SAW OR A GOOD HARDWARE STORE  
(MOST HARDWARE STORES HAVE CUTTING OPTION)
- SMALL HANDSAW
- SAFETY GLASSES

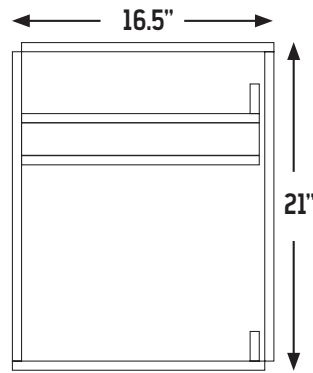


# CUT SHEET

**FRONT VIEW (OPEN)**



**SIDE VIEW (INTERNAL)**



## CUT SIZES & QUANTITY LIST

A. Sides - 15.5" x 20" Qty 2

B. Back & Front - 20" x 28" Qty 2

C. Top & Bottom - 16" x 28" Qty 2

D. Shelves - 15" x 27" Qty 2

E. Shelf Face Boards - 27" x 5" Qty 2

F Shelf Dividers - 3.5" x 15" Qty 2

